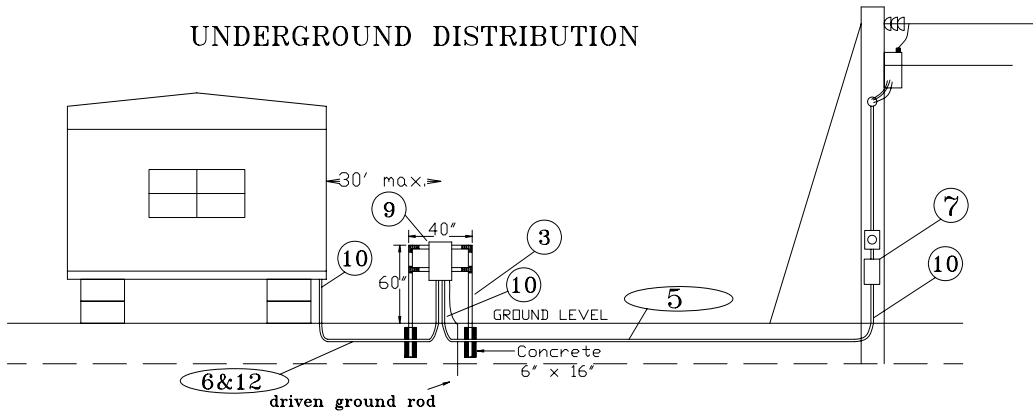
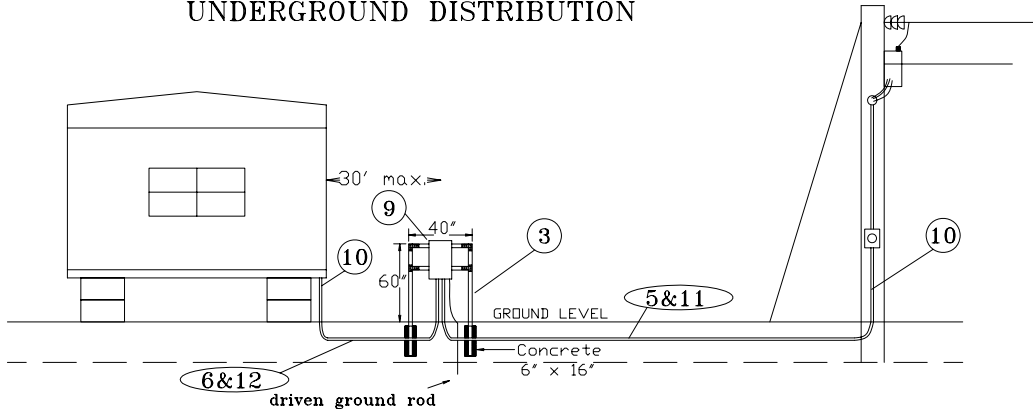


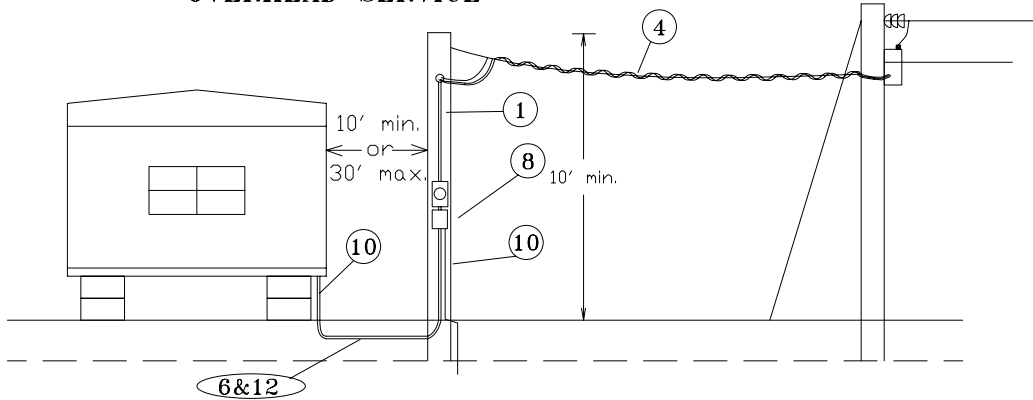
UNDERGROUND DISTRIBUTION



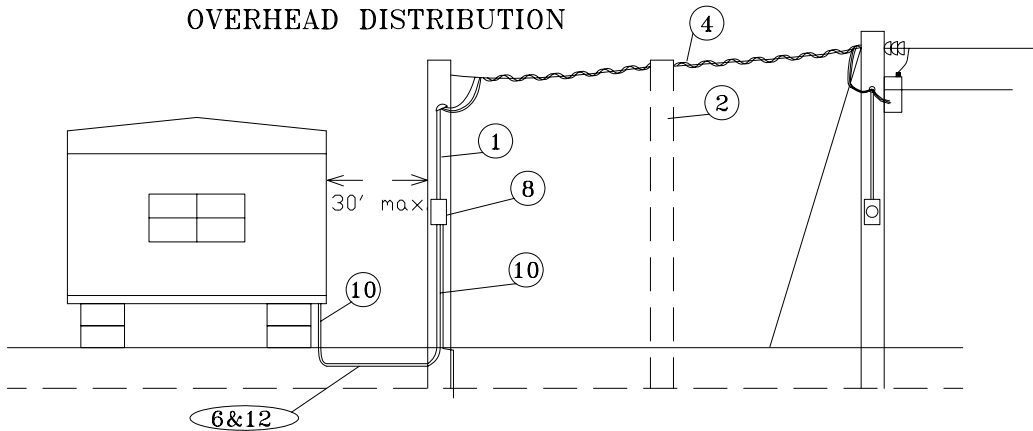
UNDERGROUND DISTRIBUTION



OVERHEAD SERVICE



OVERHEAD DISTRIBUTION



*Disconnect means must be installed either on meter pole as shown or on first pole out from meter pole.

Rev. 1/15/09

G:\MAPPING\SPES\Foundation_UG\MobileHomeGuide.dwg

